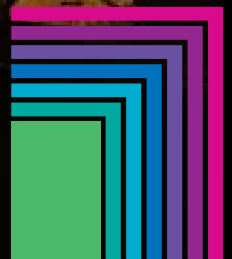


Issue Two

RIMINE

MINING ENCLOSURES



RITTAL

RiMine

MINING ENCLOSURES

Specifically designed for the harsh mining environment, the RiMine range of field enclosures are able to withstand the most rugged conditions.

Rittal, the world leader in industrial enclosures, advance their German design and engineering expertise to produce RiMine, a series of sloped roof enclosures for the mining and petrochemical industries.

Features include:

- IP66 rating
- 2mm thickness
- Maximum door opening
- Optimum mounting area
- 30° sloped roof with generous overhang
- Triple point locking system (Available in 700H + sizes)
- Pad lockable
- Foamed in gaskets
- Depth adjustable mounting plate
- Door stay
- Gland plate included



Mounting plate - depth adjustable



Stainless steel enclosure comes with stainless steel, padlockable, swivel handle

Mild steel enclosure comes with chrome, padlockable swivel handle

FREE CALL AUS: 1800 350 665 - www.rittal.com.au

NZ: 04 566 7630 - www.rittal.co.nz



Mild Steel Painted X15 Orange:
 Cost effective solution for inland applications

Mild Steel	Height	Width	Depth
RM4425S	400	400	270
RM7535S	700	500	370
RM10840S	1000	800	420

Stainless Steel 316 Uncoated:
 Robust design for mining and petrochemical environments

Stainless Steel 316 Uncoated	Height	Width	Depth
RM4425SS	400	400	270
RM7522SS	700	500	220
RM7535SS	700	500	370
RM10822SS	1000	800	220
RM10840SS	1000	800	420

Stainless Steel 316 Painted X15 Orange:
 Specifically designed for Australia's mining industry

Stainless Steel 316 Painted X15 Orange	Height	Width	Depth
RM4425SSX15	400	400	270
RM7522SSX15	700	500	220
RM7535SSX15	700	500	370
RM10822SSX15	1000	800	220
RM10840SSX15	1000	800	420

Accessories:

Rittal's complete range of accessories are designed to maximize the functionality of your enclosure. Accessories include: hinged inner doors for control equipment mounting, customised gland plate modifications, and a wide variety of climate control solutions.

Hinged Inner Doors:

Part Number	To Suit Enclosure	Dimensions (MM)	
		Height	Depth
RM44HID	RM4425 S/SS	375	325
RM75HID	RM7525-35 S/SS	675	425
RM18HID	RM10825-40 S/SS	975	725



Hinged inner doors

To compliment the depth adjustable mounting plate, hinged inner doors are available for all RiMine enclosures



Customised gland plate

Options include:

- Pre drilling for custom cable glanding requirements
- Brass gland plates available upon request

FREE CALL AUS: 1800 350 665 - www.rittal.com.au

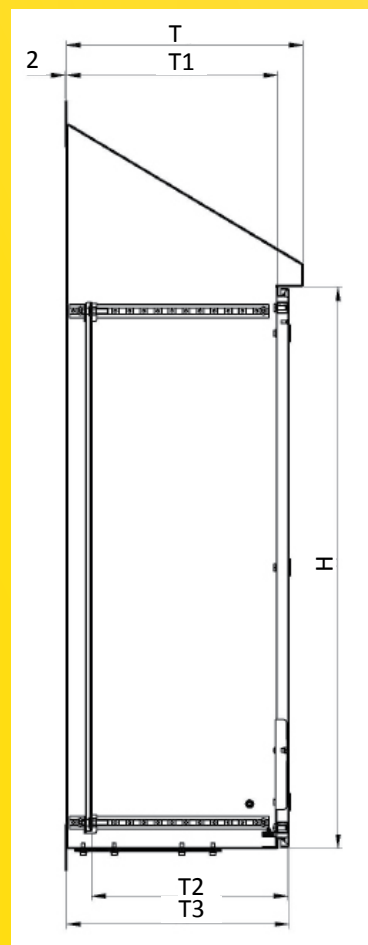
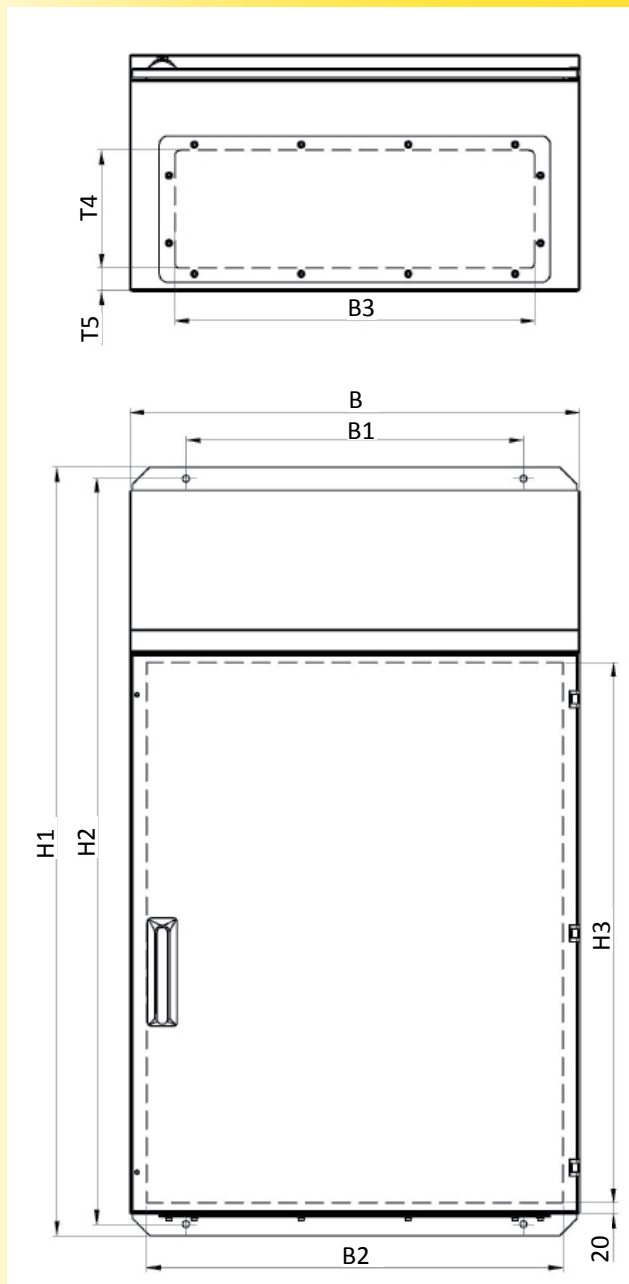
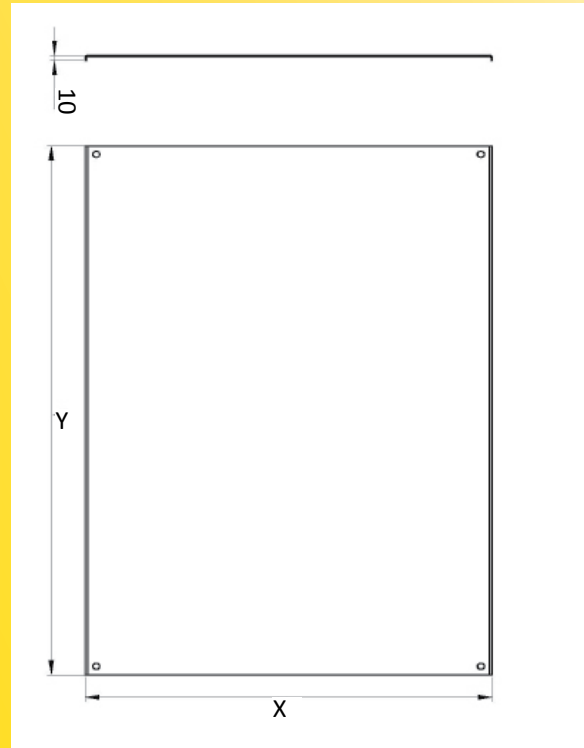
NZ: 04 566 7630 - www.rittal.co.nz

Climate Control Solutions:

Part Number	Description / Air Throughput (50Hz)	Dimensions (MM)		
		Height	Width	Depth
SK3321107	Fan Unit 240V 20m3/h	116.5	116.5	52
SK3321207	Outlet Filter	116.5	116.5	52
SK3321800	IP56 Stainless Steel Hose Proof Fan/Filter Cover	260	150	40
SK3322107	Fan Unit 240V 55m3/h	148.5	148.5	67.5
SK3322207	Outlet Filter	148.5	148.5	67.5
SK33222800	IP56 Stainless Steel Hose Proof Fan/Filter Cover	270	176	55
SK3323107	Fan Unit 240V 105m3/h	204	204	95
SK3323207	Outlet Filter	204	204	95
SK3323800	IP56 Stainless Steel Hose Proof Fan/Filter Cover	410	233	55
SK3324107	Fan Unit 240V 180m3/h	255	255	117.5
SK3325207	Outlet Filter	255	255	117.5
SK3324800	IP56 Stainless Steel Hose Proof Fan/Filter Cover	500	282	55
SK3106120	Enclosure Heater 110-240V 20w	173	70	47
SK3116140	Enclosure Heater 110-240V 50w	215	93	80
SK3102170	Enclosure Heater 110-240vac	250	195	80
SK3110000	Thermostat 24-240v ac	71	71	33.5
SK3118000	Hygrostat 24-230v ac/dc	71	71	33.5



Specifications



FREE CALL AUS: 1800 350 665 - www.rittal.com.au

NZ: 04 566 7630 - www.rittal.co.nz



Descriptions:

H = Overall height at front

H1 = Overall height at rear

H2 = Fixing height

H3 = Opening height

B = Overall width

B1 = Fixing width

B2 = Opening width

B3 = Width of gland plate

T = Overall depth

T1 = Depth of the enclosure

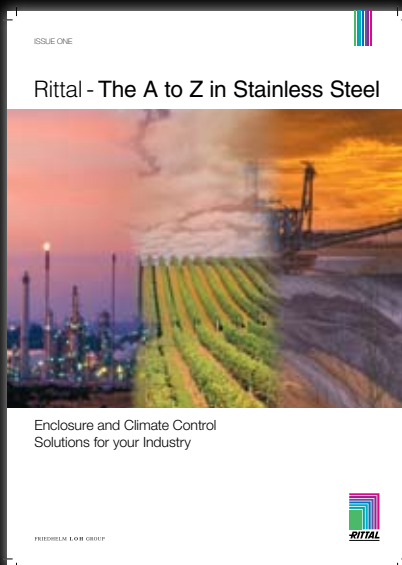
T2 = Maximum mounting depth

T3 = Depth of the enclosure with the door

T4 = Depth of gland plate

T5 = Position of gland plate

Nominal Dimensions HxWxD	Height (mm)				Width (mm)				Depth (mm)						Mounting Plate	
	H	H1	H2	H3	B	B1	B2	B3	T	T1	T2	T3	T4	T5	X	Y
400 x 400x 270	400	681	641	362	400	300	340	320	270	225	200	245	140	40	325	340
700 x 500 x 220	700	952	912	662	500	400	440	440	220	175	150	195	120	27.5	425	640
700 x 500 x 370	700	1039	999	662	500	400	440	440	370	325	300	345	240	40	425	640
1000 x 800 x 220	1000	1252	1212	962	800	600	740	740	220	175	150	195	120	27.5	725	940
1000 x 800 x 420	1000	1367	1327	962	800	600	740	740	420	375	350	395	210	40	725	940



A- Z in Stainless Steel

A concise presentation of Rittal's stainless steel solutions



Catalogue 32

A comprehensive guide to all Rittal products



Coming Soon....

Real-time tracking system for underground mines and tunnels

HEAD OFFICE

130-140 Parraweena Rd
Miranda NSW 2228

T. + 612 9525 2766

F. +612 9525 5302

Email: info@rittal.com.au

AUSTRALIA 1800 350 665

NEW ZEALAND 04 566 7630

